



LLR00231

1.6 cu. ft. Microwave Oven
Horno de Microondas
de 1.6 pies cúbicos



*Read these instructions carefully before using
your microwave oven, and keep it carefully.
If you follow the instructions, your oven will
provide you with many years of good service.*

*Lea estas instrucciones detenidamente antes de usar su
horno de microondas y guárdelas cuidadosamente. Si usted
sigue las instrucciones, su horno le rendirá muchos años
de excelente servicio.*

INSTRUCTION MANUAL
Please Read And Save These Instructions
MANUAL DE INSTRUCCIONES
Lea Y Conserve Este Instructivo

Detailed Contents

SPECIAL PRECAUTION	3
WARNING: Avoid Possible Exposure to Excessive Microwave Radiation Energy	3
SPECIFICATIONS	3
IMPORTANT SAFETY INSTRUCTIONS	4
Safety Terminology	4
Electrical Precautions	4
Storage	5
Special Food Cooking Precautions	5
Super-Heated Liquid Burn Hazard	5
Intended Use	5
Oven Fire Warnings	6
Child Supervision	6
Service Needs	6
Cleaning	6
ELECTRICAL REQUIREMENTS	6
Grounding Instructions	7
Power Supply Cord	7
Radio Interference	7
CONTAINER USAGE	8
Is it Microwave Safe?	8
Materials you can use in microwave oven	9
Materials to be avoided in microwave oven	9
SETTING UP YOUR OVEN	10
Names of Oven Parts and Accessories	10
Unpack and Check for Damage	10
Turntable Installation	11
Control Panel and Features	11
Countertop Installation	12
OPERATION	13
1.Power Level	13
2.Setting the Clock	13
3.Kitchen Timer	13
4.Microwave Cook Time	14
5.Express Cooking	14
6.Defrost (1-lb Defrost) Button	14
7.Custom Defrost Function	15
8.Memory Function	15
9.Sensor Reheat/Cook (SC Button)	15
Sensor Cooking Limitations	15
Foods to be Avoided or Require Special Attention	16
Casseroles	16
Canned Foods	16
Plate of Food	16
Sensor Cooking Options Chart	16
Reheat (SC-1)	16
Pizza (SC-2)	16
Frozen Meal (SC-3)	16
Potato (SC-4)	16
Rice (SC-5)	16
Fresh/Frozen Vegetable (SC6/7)	16

10.Popcorn	17
11.Soften/Melt (S).....	17
12.Custom Cook Button (CC).....	18
13.Multi Stage Cooking	18
14.Clock/Power Inquiry.....	19
15 Lock Function for Children.....	19
16.End of Cooking Reminder	19
17.Door Interruption while Cooking	19
MAINTENANCE AND CONTACTS	20
Troubleshooting	20
Customer service.....	21

SPECIAL PRECAUTION

Avoiding Potential Exposure to Excessive Microwave Radiation Energy

 **WARNING**

Potential Microwave Radiation Energy Exposure Hazard

Microwave radiation energy may be harmful to you if certain precautions are not taken.

Do not attempt to operate this oven with the door open.

Do not defeat or tamper with the built-in safety interlock switches.

Do not place any object between the oven front face and the door.

Do not allow soil or cleaner residue to accumulate on sealing surfaces.

Ensure that the door closes properly before use.

Do not operate the oven if it is damaged. It is particularly important that there is no damage to:

DOOR

HINGES AND LATCHES

DOOR SEALS AND SEALING SURFACES

Only have the oven adjusted or repaired by properly qualified service personnel.


Failure to heed these precautions may result in personal injury.

SPECIFICATIONS

Model:	LLR00231
Rated Voltage:	120V~ 60Hz
Rated Input Power (Microwave):	1550W
Rated Output Power (Microwave):	1100W
Oven Capacity:	45L (1.6 cu.ft.)
Turntable Diameter:	345mm (13.6 in)
External Dimensions:	553x510x328mm (21.7x20.1x12.9in)
Net Weight:	Approx. 16.7 kg (36.8 lb)

IMPORTANT SAFETY INSTRUCTIONS

Safety Terminology (ANSI Z535.4)


Safety Alerts:  This is the safety alert symbol. This symbol alerts you to potential hazards that can kill or hurt you and others. Safety messages will follow the safety alert symbol with either the word "DANGER" or "WARNING" or "CAUTION."

DANGER: Indicates a hazardous situation that, if not avoided, will result in death or serious injury. This signal word is to be limited to the most extreme situations.

WARNING: Indicates a hazardous situation that, if not avoided, could result in death or serious injury.

CAUTION: Indicates a hazardous situation that, if not avoided, could result in minor or moderate injury.


NOTICE: Indicates information considered important, but not hazard-related (e.g., messages related to property damage). The safety alert symbol shall not be used with this signal word.

 WARNING: Burn, Fire, Electric Shock and Microwave Energy Hazard
This microwave oven may present a risk of burn, fire, electric shock, exposure to microwave energy, and other hazards. To avoid injury, read and follow all instructions before using the appliance. Locate, Install, and Operate this appliance only in accordance with these instructions. Failure to heed all instructions may result in personal injury or death.

Electrical Precautions

Grounding. This appliance must only be connected to a properly grounded outlet. See "GROUNDING INSTRUCTIONS" found on page 7.

Cord/Plug Safety

 WARNING: Electric Cord Shock Hazard
The electric cord and plug may present a shock hazard if the following precautions are not followed: <ul style="list-style-type: none">Do not operate this appliance if it has a damaged cord, a damaged plug, is not working properly, or if it has been damaged or dropped.Do not allow cord to hang over edge of table or counter.Keep cord away from heated surface.Do not immerse cord or plug in water. Failure to heed these precautions may result in electrocution leading to serious injury or death.

Storage. Do not store this appliance outdoors. Do not use this product near water – for example, near a kitchen sink, in a wet basement, near a swimming pool, or in a similar location.

Special Food Cooking Precautions

Some products such as whole eggs and sealed containers (ex: closed glass jars) can explode and should not be heated in this oven.

Do not cover or block any openings on the appliance.

Do not cook bacon directly on the turntable. Excessive local heating of the turntable may cause the turntable to break.

Do not heat baby bottles or baby food in the microwave oven. Uneven heating may occur and could cause physical injury.

Do not heat narrow-necked containers, such as syrup bottles


Do not attempt to deep-fry in your microwave oven.

Do not attempt home canning in this microwave oven, as it is impossible to be sure all contents of the jar have reached boiling temperature.

Super-Heated Liquid Burn Hazard

A “Super-heated” liquid is any water, coffee, tea or other liquids that are heated beyond their boiling temperature, without signs of boiling.

If you use a microwave oven to heat liquids in a clean cup or container beyond the boiling temperature, any slight disturbance or movement may cause the “Super-heated” non-boiling liquid to violently explode out of the container.

 WARNING: Super-Heated Liquid Burn Hazard
Super-heated liquids may develop in the oven and present a burn hazard if the following precautions are not followed: <ul style="list-style-type: none">Do not use straight-sided containers with narrow necks (which can suddenly spout ejected boiling liquid).Do not overheat the liquid.Stir liquid before placing the container in the oven and again halfway through cooking time.After heating, allow the container to stand in the microwave oven for a short time before removing the container.After cooking, use extreme care when inserting a spoon or other utensil into the container. Failure to heed these precautions may result in serious skin burns or scalding injuries on hands, face, and body.

Intended Use. Use this appliance only for its intended use as described in the manual. Do not use corrosive chemicals or vapors in this appliance. This type of oven is specifically designed to heat, cook or dry food. It is not designed for industrial or laboratory use. Do not use this microwave oven for any commercial purpose. This microwave oven is made for household use only.

Oven Fire Warnings

 **WARNING**
Oven Fire Hazard

Fire hazards may occur in the oven if the following precautions are not followed:

Do not operate the microwave oven empty. Operating the oven with no food or food that is extremely low in moisture can cause fire, charring or sparking.

Do not overcook food. Carefully watch appliance when paper, plastic, or other combustible materials are placed inside the oven as part of cooking.

Remove wire twist-ties from paper or plastic bag before placing bag in oven.

Do not use the oven cavity for storage purposes, or leave paper products, cooking utensils, or food in the cavity when not in use.

Failure to heed these precautions may result in personal injury or property damage.

 **WARNING:**
FIRE OR SMOKE IN MICROWAVE OVEN

If materials inside of the oven ignite, keep oven door closed and turn oven off. Disconnect the power cord or shut off power at the fuse or circuit breaker panel. Failure to heed this warning may result in burns, inhalation of smoke, or property damage.

Child Supervision. As with any appliance, close supervision is necessary when used by children.

Service Needs. This appliance should be serviced only by qualified service personnel. Contact nearest authorized service facility for examination, repair, or adjustment.

Cleaning. When cleaning the contact surfaces of door and oven that come together upon closing the door, use only mild, nonabrasive soaps, or detergent applied with a sponge or soft cloth. Failure to maintain the oven in a clean condition could lead to deterioration that could adversely affect the life of the appliance and possibly result in a hazardous situation.

ELECTRICAL REQUIREMENTS

 **DANGER**
Internal Electrical Shock Hazard

Do not disassemble this appliance or touch the internal components as they may be electrified. Consult a qualified electrician if any service or repairs are needed. Failure to heed this warning will result in electrocution leading to serious injury or death.

Grounding Instructions

WARNING

Improper Grounding Hazard

Failure to use proper grounding can result in a serious electric shock and injury. Consult a qualified electrician or serviceman if the grounding instructions are not completely understood or if doubt exists as to whether the appliance is properly grounded.

This appliance must have a third grounded wire. In the event of an electrical short circuit, grounding reduces the risk of electric shock by providing an escape wire for the stray electric current. This appliance cord has a third grounding wire and grounding plug. The plug must be plugged into an outlet that is properly installed and grounded.

Power Supply Cord

Extension cords are not recommended. However, if it is unavoidable to use an extension cord:

The marked electrical rating of the cord set or extension cord should be at least as great as the electrical rating of the appliance.

The extension cord must be a grounding-type 3-wire cord plug and receptacle.

The longer cord should be arranged so that it will not drape over the countertop or tabletop where it can be pulled on by children or tripped over unintentionally.

RADIO INTERFERENCE

CAUTION

Potential Radio Interference

Operation of the microwave oven may cause interference to your radio, TV or similar receiver equipment. Follow the instructions below to avoid or reduce interference.

When there is interference, it may be reduced or eliminated by taking one or more of the following measures:

Clean door and sealing surface of the oven;

Reorient the receiving antenna of radio or television;

Relocate the microwave oven with respect to the receiver;

Move the microwave oven away from the receiver; or

Plug the microwave oven into a different outlet so that microwave oven and receiver are on different branch circuits.

CONTAINER USAGE

WARNING

Container Explosion Hazard

Tightly closed containers could explode in the oven. Closed containers should be opened, and plastic pouches should be pierced before cooking in the oven. Failure to heed this warning may result in personal injury or property damage.

See the instructions below on “Materials You Can Use in Microwave Oven” or “Materials To Be Avoided In Microwave Oven.” There may be certain containers and non-metallic utensils that are not safe to use for microwaving. If in doubt, you can test these using the following procedure:

Is it Microwave Safe?

Container Test:

- (1) Fill a microwave-safe container with 1 cup of cold water (250ml).
- (2) Cook on maximum power for 1 minute to warm the water contents.
- (3) Carefully feel the container. If the outside of the container is warm, do not use it for microwave cooking.
- (4) Do not exceed 1-minute cooking time.

Utensil Test:

- (1) Fill a microwave-safe container with 1 cup of cold water (250ml).
- (2) Lay the utensil in question beside the container but not touching it.
- (3) Cook on maximum power for 1 minute to warm the water contents.
- (4) Carefully feel the utensil. If the utensil is hot, do not use it for microwave cooking.
- (5) Do not exceed 1-minute cooking time.

Materials You Can Use in Microwave Ovens

Item	Remarks
Browning dish	Follow manufacturer's instructions. The bottom of the browning dish must be at least 3/16 inch (5mm) above the turntable. Incorrect usage may cause the turntable to break.
Dinnerware	Microwave-safe only. Follow the manufacturer's instructions. Do not use cracked or chipped dishes.
Glass jars	Always remove lid. Use only to heat food until warm. Most glass jars are not heat resistant and may break.
Oven cooking bags	Follow manufacturer's instructions. Do not close with metal tie. Make slits to allow steam to escape.
Paper plates and cups	Use for short-term cooking/warming only. Do not leave oven unattended while cooking.
Paper towels	Use to cover food for reheating and absorbing fat. Use with supervision for short-term cooking only.
Parchment paper	Use as a cover to prevent splattering or as a wrap for steaming.
Plastic	Microwave-safe only. Follow the manufacturer's instructions. Should be labeled "Microwave Safe." Some plastic containers soften as the food inside gets hot. "Boiling bags" and tightly closed plastic bags should be slit, pierced or vented as directed by package.
Plastic wrap	Microwave-safe only. Use to cover food during cooking to retain moisture. Do not allow plastic wrap to touch food.
Thermometers	Microwave-safe only (meat and candy thermometers).
Wax paper	Use as a cover to prevent splattering and retain moisture.

Materials to be Avoided in Microwave Ovens

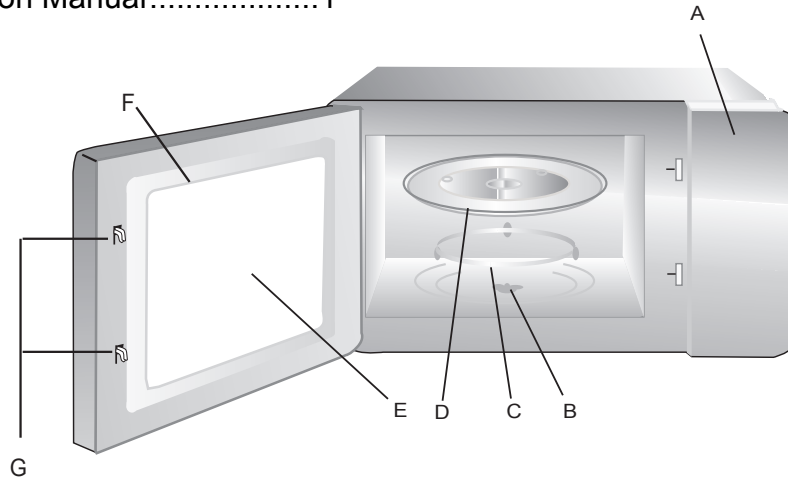
Item	Remarks
Aluminum tray	May cause arcing. Transfer food into microwave-safe dish.
Food carton with metal handle	May cause arcing. Transfer food into microwave-safe dish.
Metal or metal-trimmed utensils	Metal shields the food from microwave energy. Metal trim may cause arcing.
Metal twist ties	May cause arcing and could cause a fire in the oven.
Paper bags	May cause a fire in the oven.
Plastic foam	Plastic foam may melt or contaminate the liquid inside when exposed to high temperatures.
Wood	Wood will dry out when used in the microwave oven and may split or crack.

SETTING UP YOUR OVEN

Names of Oven Parts and Accessories

Remove the oven from the carton and all materials from the oven cavity. Your oven comes with the following accessories:

- Glass tray.....1
- Turntable ring assembly.....1
- Instruction Manual.....1



- A) Control panel
- B) Turntable shaft
- C) Turntable ring assembly
- D) Glass tray
- E) Observation window
- F) Door assembly
- G) Safety interlock system

Unpack and Check for Damage

WARNING

Damaged Oven Hazard

Do not install or operate oven if it is damaged. Failure to do so may result in serious injuries.

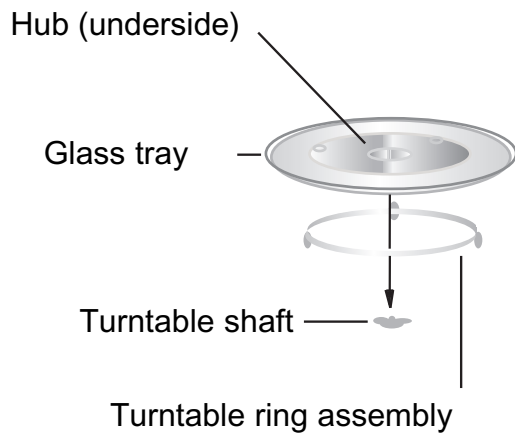
Remove all packing material and accessories. Examine the oven for any damage such as dents or broken door.

Cabinet: Remove any protective film found on the microwave oven cabinet surface.

Do not remove the light brown Mica cover that is attached to the oven cavity to protect the magnetron.

See “Customer Service” section on page 23 of this manual if the microwave is damaged.

Turntable Installation



Never place the glass tray upside down. The glass tray should never be restricted.

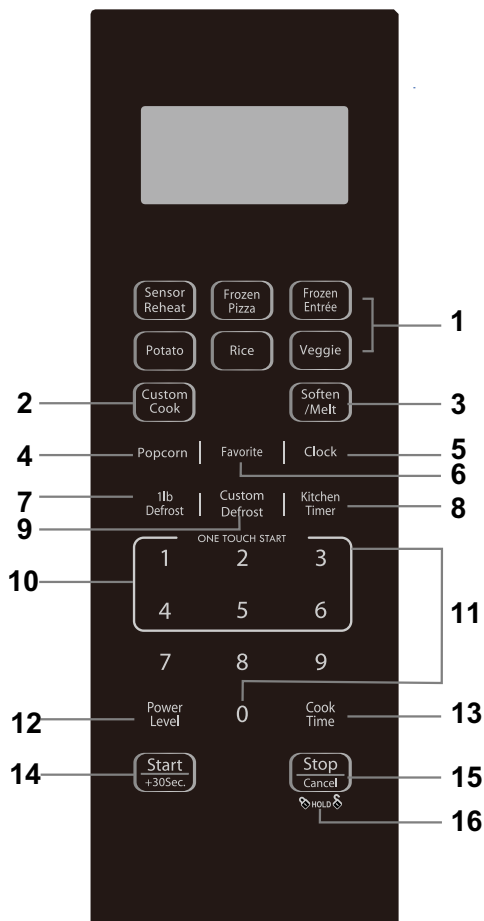
The glass tray, turntable ring and turntable roller rest must always be used during cooking.

Always place all food and containers of food on the glass tray for cooking.

For cooking, always place the cookware gently on the turntable and handle it carefully to avoid possible breakage. Incorrect use of browning dish may cause the turntable to break.

If the glass tray or turntable ring assembly cracks or breaks, contact your nearest authorized service center.

Control Panel and Features



- (1) Sensor Cook: Sensor Reheat, Frozen Pizza, Frozen Entree, Potato, Rice, Veggie
- (2) Custom Cook
- (3) Soften/Melt
- (4) Popcorn
- (5) Clock
- (6) Favorite/Memory Function
- (7) 1 lb Defrost
- (8) Kitchen Timer function
- (9) Custom Defrost (Meat, Poultry, Fish)
- (10) One Touch START/ Express Cooking (Number Pad 1-6)
- (11) Number Buttons: 0-9
- (12) Power (10 Power levels)
- (13) Cook Time
- (14) Start/+30Sec. (Begin cooking time or add time to cooking)
- (15) Stop/Clear
- (16) Child Lock (Hold)

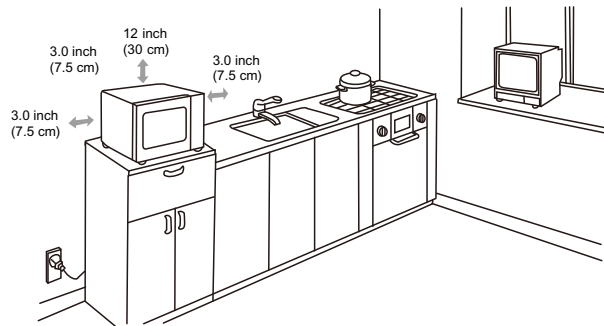
Countertop Installation

⚠ CAUTION

Microwave Heat Damage

Do not install oven over a range cooktop or another heat-producing appliance. If installed near or over a heat source, the oven could be damaged, and the warranty voided.

Select a level surface that provides enough open space for the intake and/or outlet vents.



Provide a minimum clearance of 3.0 inches (7.5cm) between the oven and any adjacent walls. One side must be open.

Leave a minimum clearance of 12 inches (30cm) above the oven.

Do not remove the legs from the bottom of the oven.

Do not block the intake and/or outlet openings. The oven will be damaged.

Place the oven as far away from radios and TVs as possible. Operation of the microwave oven may interfere with your radio or TV reception.

Plug your oven into a standard grounded three wire household outlet. Be sure the voltage and the frequency are the same as the voltage and frequency on the oven attached rating label and specifications provided in this manual.

OPERATION

1. Power Level

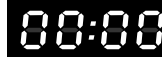
Ten power levels are available.

Number key	0	9	8	7	6	5	4	3	2	1
Level	10	9	8	7	6	5	4	3	2	1
Power	100%	90%	80%	70%	60%	50%	40%	30%	20%	10%
Display	PL10	PL9	PL8	PL7	PL6	PL5	PL4	PL3	PL2	PL1

2. Setting the Clock

When the microwave oven is plugged into an outlet, the oven will display “0:00”

(1) Press **CLOCK**, 00:00 will display.



(2) Press the number keys and enter the current time. For example, to set the clock to 10:12, press 1, 0, 1, 2.



(3) Press **CLOCK** to finish clock setting. The colon **:** will flash and the clock will be lit.

(4) If the numbers are not within the range of 1:00-12:59, the setting will be invalid until replaced with the valid numbers.

Note: In the process of clock setting, if the **STOP/CANCEL** button is pressed, or if there is no operation selected within 1 minute, the oven will go back to the previous setting automatically.

If the clock needs to be reset, repeat steps 1- 3.

3. Kitchen Timer (“KITCHEN TIMER” Button)

(1) Press **KITCHEN TIMER**, the screen will display 00:00.



(2) Press the number keys to enter the desired reminder time. The maximum time is 99 minutes and 99 seconds.

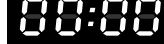
(3) Press **START/+30SEC.** to confirm setting and initiate timing.

(4) When the kitchen timer finishes, it will beep 5 times.

(5) If the clock is set (12-hour system), the screen will display the count down time and not the clock.

Note: Once the timer has been set, increased time cannot be added. Press the **STOP/CANCEL** button to reset and insert a new desired reminder time.

4. Microwave Cook Time (“Cook Time” Button)

- 1) Press **COOK TIME** once; the screen will display **00:00**. 
- 2) Press number keys to input the cooking time; the maximum cooking time is 99 minutes and 99 seconds.
- 3) Press **POWER LEVEL** once; the screen will display **PL10**. The default power is 100% power. You can now press the number keys to adjust the power level.
- 4) Press **START/+30 SEC.** to start cooking.

Example: This is how to cook food with 50% microwave power for 15 minutes:

- a. Press **COOK TIME** once; **00:00** displays.
- b. Press **1, 5, 0, 0** in order.
- c. Press **POWER LEVEL** once, then press **5** to select 50% microwave power. Press **START/+30 SEC.** to start cooking.

Note: In the process of cooking, if the **STOP/CANCEL** button is pressed or if there is no operation within 1 minute, the oven will go back to the former setting automatically.

5. Express Cooking

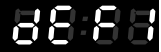
- 1) Press numbers 1 to 6 to begin cooking at 100% power level for a cooking time of 1 to 6 minutes. Press **START/+30 SEC.** to increase the cooking time. The maximum cooking time is 99 minutes and 99 seconds.
- 2) Cooking at 100% power level with 30 seconds of cooking time can be started by pressing **START/+30 SEC.** Each press of the same button will increase the cooking time by 30 seconds. The maximum cooking time is 99 minutes and 99 seconds.

Note: Under **COOK TIME** and Soften Auto Menu selections, press **START/+30 SEC.** button to increase cooking time by 30 seconds.

6. 1 lb Defrost

- 1) Press **1 lb DEFROST**, the screen will display **1.0**.
- 2) Press **START/+30 SEC.** to start defrosting. The cooking time remaining will be displayed.

7. Custom Defrost Function (“def 1”, “def 2, “def 3”)

- 1) Press **CUSTOM DEFROST** once, the screen will display dEF1. 
- 2) Press **CUSTOM DEFROST** repeatedly to choose dEF1, dEF2 or dEF3.
- 3) Press the keypad numbers to input weight of the food. Input the weight ranged between 0.3~6.3lbs.
- 4) Press **START/+30 SEC.** to start defrosting. The cooking time remaining will be displayed.

Food	Display	Weight
Custom Defrost-Meat	dEF1	0.3~6.3lbs
Custom Defrost-Poultry	dEF2	0.3~6.3lbs
Custom Defrost-Fish	dEF3	0.3~6.3lbs

8. Memory Function (“Favorite” Button)

- 1) Press **FAVORITE** repeatedly to choose the first, second, or third memory option. The screen will display 1, 2, 3.
- 2) If the memory option has been set, press **START/ +30 SEC.** to use it. If not, continue to set the procedure. Only one or two stages can be set.
- 3) After finishing the setting press **FAVORITE** once to save the procedure.
- 4) Press **START/ +30 SEC.** to save the procedure and start cooking. Example: How to set the following selection as Memory 2: 80% microwave power for 3 minutes and 20 seconds.
 - a. Press **FAVORITE** twice until the screen displays 2.
 - b. Press **COOK TIME** once, then press 3, 2, 0.
 - c. Press **POWER LEVEL** once and display PL10; then press 8, and PL8 will display, for 80%.
 - d. Press **FAVORITE** to save the setting. The Microwave will beep once.
 - e. Finally, press **START/+30 SEC.** and the procedure will be saved as Memory 2 and cooking initiated.
 - f. To run the saved procedure, press **FAVORITE** twice; screen will display 2, then press **START/+30 SEC.** to run.

9. Sensor Reheat/Cook (“Sensor Reheat” Button)

- 1) Press **SENSOR REHEAT**; SC-1 will display.
- 2) Press **START/+30 SEC.** to start the sensor cook function. Cook time does not need to be set as long as food is within an 8 to 32 ounce portion.
- 3) After the Microwave senses the food beginning to steam, the time remaining will be automatically displayed. The microwave will beep 5 times when finished.

Sensor Cooking Limitations:

The room temperature should not be over 35 degrees. The oven cannot cook automatically when the temperature of the oven cavity is too high.

The food weight should be more than 110g (4 Oz).

The cavity, glass tray and container should be dry before inserting the food into the container or the oven cavity.

When reheating covered food, use a cover with vent holes to allow steam to escape. Do not use a sealed container.


During cooking process:

- a. Do not open the microwave while a remaining cook time is displayed.
- b. The microwave will beep twice when there is no more remaining cook time displayed. At this time the door can be opened to mix or turn the food.

Allow food to cool slightly before removing from the microwave oven.

During the sensor cooking process when the count-down time is not displayed, steam has not yet been detected. To open the door press **STOP/CANCEL**. However, opening the door prior to this count-down time being displayed could result in a sensor error, and you will have to reprogram your **SENSOR REHEAT** selection.

Foods to be Avoided or Require Special Attention in SENSOR REHEAT Mode:

 CAUTION Food to be avoided in SENSOR REHEAT mode:	
<p>The following foods should be avoided when using the sensor cooking function. However, they may be heated under other functions of the Microwave:</p> <ul style="list-style-type: none"> Bread and other dry foods Raw or uncooked foods Beverages Frozen foods <p>These following foods also require special attention when using the SENSOR REHEAT function:</p> <p>For Casseroles: Add 3 to 4 tablespoons of water and cover with a lid or vented plastic wrap. After reheating, let it stand for a few minutes, or it can be mixed and again reheated.</p> <p>For Canned foods: Empty contents into casserole dish or serving bowl and cover the dish with a lid or vented plastic wrap. After reheating, let stand for a few minutes.</p> <p>For a Plate of food: Arrange food on plate and cover with butter, gravy, etc., if desired. Cover with a lid or vented plastic wrap. After reheating, let plate stand for a few minutes.</p>	

Sensor Cooking Options Chart

Menu button	Food	Food Code	Weight/Portion
Sensor Reheat	Sensor Reheat	SC-1	8.0 - 32.0 oz
Frozen Pizza	Frozen Pizza	SC-2	6.0 - 12.0 oz
Frozen Entrée	Frozen Entrée	SC-3	8.0 - 32.0 oz
Potato	Potato	SC-4	1 - 4 potatoes 10.0 oz each
Rice	Rice	SC-5	8.0 Oz - 16.0 Oz
Veggie	Fresh/Frozen Vegetable	SC-6/SC-7	4.0 - 16.0 oz

10. Popcorn

Press **POPCORN** repeatedly until the approximate bag net weight appears in the ounces (**Oz**) display.

Example: Press **POPCORN** once, **1.75** displays.

Press **START/+30 SEC.** to cook and the **Oz** display will disappear.

Popcorn Cook Time Chart

Times (Press "POPCORN")	Bag Net Weight	Display
Once	1.75 Oz	1.75
Twice	3.0 Oz	3.0
Thrice	3.5 Oz	3.5

11. Soften/Melt

- 1) Press **SOFTEN/MELT** repeatedly until the desired menu appears in the display.
- 2) After choosing the Menu Chart item (see below), press the keypad number to select the weight or portion of the food.
- 3) Press **START/+30 SEC.** to cook.

Soften Auto Menu Chart

Food	Display	Weight/ Portion
Melt-Butter/ Margarine	S-1	1-3 STICKS
Melt-Chocolate	S-2	4 Oz 8 Oz
Melt-Cheese	S-3	8 Oz 16 Oz
Melt-Marshmallows	S-4	5 Oz 10 Oz
Soften-Butter	S-5	1-3 STICKS
Soften-Ice cream/ Frozen juice	S-6	6 Oz 12 Oz 16 Oz
Soften-Cream cheese	S-7	3 Oz 8 Oz

12. Custom Cook (“Custom Cook” Button)

- 1) Press **CUSTOM COOK** repeatedly until the desired menu item appears in the display. **CC-1, CC-2...CC-5** will display in order.
- 2) After choosing the Menu Chart item (see below), press a number on the keypad to select the weight or portion of the food.
- 3) Press **START/+30SEC.** to cook.

Custom Cook Menu Chart:

Food	Display	Weight/ Portion
Custom cook-Bacon	CC-1	2 Slices 3 Slices 4 Slices 5 Slices 6 Slices
Custom cook-Frozen roll/Muffin-reheat	CC-2	1 Piece 2 Pieces 3 Pieces 4 Pieces 5 Pieces 6 Pieces
Custom cook-Beverage	CC-3	1 Cup 2 Cups
Custom cook-Chicken Pieces	CC-4	0.5LB - 2.0LB
Custom cook-Oatmeal (with milk)	CC-5	20 Oz 40 Oz

13. Multi-Stage Cooking

At most, 2 selections can be set for multi-stage cooking. In multi-stage cooking, if one stage is defrosting, then defrost should be selected in the first stage. When the first stage finishes, the microwave will beep once, and the next stage will begin cooking.

Example: To cook with 80% microwave power for 5 minutes + 60% microwave power for 10 minutes, do the following:

- 1) Press **COOK TIME** once, then press **5, 0, 0** to set 5 minutes.
- 2) Press **POWER LEVEL** once.
- 3) Press number button 8 to set 80% microwave power.
- 4) Press **COOK TIME** once, then press **1, 0, 0, 0** to set 10 minutes (0 seconds).
- 5) Press **POWER LEVEL** once.
- 6) Then press number button 6 to set 60% microwave power.
- 7) Press **START/+30 SEC.** to start cooking.

Note: Auto menu options cannot be set as one of the multi-stages.

14. Clock/Power Inquiry

To see the clock time while cooking, press **CLOCK**. The clock will display for three seconds, and then return to its prior state.

To see the power level while cooking, press **POWER LEVEL**. The current microwave power level will be displayed. After three seconds, the display will return to its previous state.

15. Lock Function for Children

Lock: Press and hold **STOP/CANCEL** for 3 seconds. There will be a long beep denoting that the microwave oven is entering the child-lock state; If the clock has been set, the current time will continue to be displayed, with no special LOCK notice.

Unlock: In the locked state, press and hold **STOP/CANCEL** for three seconds. There will be a long beep denoting that the lock is released.

16. End of Cooking Time Reminder

When the microwave finishes any of its functions, the screen will display **End**. Press **STOP/CANCEL** or open the door to return the display to its normal display state.

17. Door Interruption while Cooking

Press **START/+30 SEC.** to continue cooking after opening and reclosing the door. The Microwave will respond and beep once.

MAINTENANCE

Troubleshooting

Check your problem by using the chart below and try the solutions for each problem. If the microwave oven still does not work properly, contact the nearest authorized service center.

PROBLEM	POSSIBLE CAUSE	POSSIBLE REMEDY
Oven will not start	<ul style="list-style-type: none"> a. Electrical cord for oven is not plugged in. b. Door is open. c. Wrong operation is set. 	<ul style="list-style-type: none"> a. Plug into the outlet. b. Close the door and try again. c. Check instructions.
Arcing or sparking	<ul style="list-style-type: none"> a. Materials to be avoided in microwave oven were used. b. The oven is operated when empty. c. Spilled food remains in the cavity. 	<ul style="list-style-type: none"> a. Use microwave-safe cookware only. b. Do not operate with oven empty. c. Clean cavity with wet towel.
Unevenly cooked food	<ul style="list-style-type: none"> a. Materials to be avoided in microwave oven were used. b. Food is not defrosted completely. c. Cooking time, power level is not suitable. d. Food is not turned or stirred. 	<ul style="list-style-type: none"> a. Use microwave-safe cookware only. b. Completely defrost food. c. Use correct cooking time, power level. d. Turn or stir food.
Overcooked foods	<ul style="list-style-type: none"> a. Cooking time, power level is not suitable. 	<ul style="list-style-type: none"> a. Use correct cooking time, power level.
Undercooked foods	<ul style="list-style-type: none"> a. Materials to be avoided in microwave oven were used. b. Food is not defrosted completely. c. Oven ventilation ports are restricted. d. Cooking time, power level is not suitable. 	<ul style="list-style-type: none"> a. Use microwave-safe cookware only. b. Completely defrost food. c. Check to see that oven ventilation ports are not restricted. d. Use correct cooking time, power level.
Improper defrosting	<ul style="list-style-type: none"> a. Materials to be avoided in microwave oven were used. b. Cooking time, power level is not suitable. c. Food is not turned or stirred. 	<ul style="list-style-type: none"> a. Use microwave-safe cookware only. b. Use correct cooking time, power level. c. Turn or stir food.

Instructions

CALL US FIRST! DO NOT RETURN TO STORE.

For immediate help with assembly or product information call our toll-free number: **1-888-598-7316** Mon. - Fri. 7am to 7 pm CST
Our staff is ready to provide assistance. Damaged or missing parts ship from our facility in 1-2 business days.

Please provide the following information:

1. Full Name
2. Physical Address – do not include P.O. Box as our carriers cannot deliver to P.O. Boxes
3. Phone Number
4. Model Number
5. Part Number
6. Invoice #
7. Date of Purchase

Note: Our policy is to send all parts requests via normal ground transportation. If your requirements are to have these parts via overnight/next day, please provide your designated carrier and account number. Replacement panels are not available. If any damage has occurred during shipment please return the entire unit to place of purchase for credit and replacement. Original invoice may be required.

Before you begin:

Open, identify and count all parts prior to assembly. Lay out the parts on a non-abrasive surface such as carpet or blanket.

Contenido detallado

PRECAUCION ESPECIAL.....	3
ADVERTENCIA: Evitar Posible Excesiva Energía de Radiación de Microondas	
ESPECIFICACIONES.....	3
INSTRUCCIONES IMPORTANTES DE SEGURIDAD	4
Terminología de Seguridad	4
Precauciones eléctricas	4
Almacenamiento.....	5
Precauciones especiales para cocción de alimentos.....	5
Peligro de quemadura con líquido sobrecalentado	5
Propósitos para los que está destinado	5
Advertencias de fuego en el microondas.....	6
Supervisión de niños	6
Necesidades de servicio.....	6
Limpieza	6
REQUISITOS ELÉCTRICOS	6
Instrucciones de Conexión a Tierra.....	7
Cable de Alimentación Eléctrica.....	7
INTERFERENCIA DE SEÑALES DE.....	7
USO DE RECIPIENTES.....	8
¿Es Apto para Microondas?	8
Materiales que Puede Usar en el Horno de Microondas	9
Materiales que se Deben Evitar en un Horno de Microondas	9
CONFIGURACIÓN DEL HORNO	10
Nombres de las Partes y Accesorios del Horno	10
Desempaquete y verifique que no haya daños	10
Instalación del Plato Giratorio	11
Panel de Control y Características.....	11
Instalación en el Mostrador.	12
OPERACIÓN.....	13
1. Nivel de Potencia	13
2. Ajuste del Reloj	13
3. Temporizador de Cocina.....	13
4. Cocción en Microondas.....	14
5. Cocción Veloz.....	14
6. Función de Descongelación, 1 lb	14
7. Función de Descongelación Personalizada.....	15
8. Función de Memoria.....	15
9. Cocción por Sensor.	15
Limitaciones de la cocción por sensor.....	15
Alimentos que se deben evitar o requieren de atención especial	16
Cazuelas	16
Alimentos Enlatados	16
Plato de comida	16
Tabla de Cocción por Sensor.....	16
Recalentamiento (SC-1).	16
Pizza (SC-2)	16
Plato Principal Congelado (SC-3)	16
Papa (SC-4).....	16
Arroz (SC-5).....	16
Verdura Fresca/Congelada (SC6/7)	16

10.Palomitas de Maíz	17
11.Suavizar/Derretir.....	17
12.Cocción Personalizada	18
13.Cocción Multi-Seccional	18
14.Reloj/Potencia Función de Indagación.....	19
15 Función De Bloqueo Para Niños	19
16.Función De Recordatorio De Finalización De La Cocción	19
17.Interrupción de la Puerta al Cocinar	19
MANTENIMIENTO	20
Localización y reparación de averías.....	20
Servicio al cliente	21

PRECAUCION ESPECIAL

EVITAR POSIBLE EXCESIVA ENERGÍA DE RADIACIÓN DE MICROONDAS



ADVERTENCIA:

Peligro posible de exposición a energía de radiación de microondas

La energía de radiación de microondas puede ser peligrosa para usted si no se toman ciertas precauciones.

No intente operar este horno con la puerta abierta.

No desactivar ni manipular los enclavamientos de seguridad. No coloque ningún objeto entre la parte delantera del horno y la puerta ni deje acumular suciedades o residuos de materiales de limpieza en las superficies de sellado.

Asegúrese que la puerta del horno cierre debidamente.

No use el horno si está dañado. Es sumamente importante que no haya daño en:

LA PUERTA LAS

BISAGRAS Y LOS

PESTILLOS

LAS JUNTURAS Y LAS SUPERFICIES DE SELLADO DE LA PUERTA


Toda reparación o ajuste del horno debe ser realizado únicamente por personal de servicio debidamente calificado. No prestar atención a estas precauciones puede producir lesión personal.

ESPECIFICACIONES

Modelo:	LLR00231
Tensión nominal:	120V~ 60Hz
Potencia de entrada nominal (microondas):	1550W
Potencia de salida nominal (microondas):	1100W
Capacidad del horno:	45L (1.6 pies cúbicos)
Diámetro del plato giratorio:	345mm (13.6 pulg.)
Dimensiones externas:	553 x 510 x 328 mm (21.7 x 20.1 x 12.9 pulg.)
Peso neto:	Aprox. 16.7 kg (36.8 lb)

INSTRUCCIONES IMPORTANTES DE SEGURIDAD

Terminología de Seguridad (ANSI Z535.4)

Alertas de seguridad:  Este es el símbolo de alerta de seguridad. Este símbolo lo alerta sobre peligros potenciales que pueden matarlo o dañarlo a usted y a otros. Mensajes de seguridad seguirán al símbolo de alerta de seguridad con cualquiera de las palabras "PELIGRO" o "ADVERTENCIA" o "PRECAUCIÓN."

PELIGRO: Indica una situación de peligro que, si no se evita, puede ocasionar la muerte o lesión grave. Esta palabra de advertencia debe limitarse a las situaciones más extremas.

ADVERTENCIA: Indica una situación de peligro que, si no se evita, puede ocasionar la muerte o una lesión grave.

PRECAUCIÓN: Indica una situación de peligro que, si no se evita, puede ocasionar una lesión menor o moderada.

AVISO: Indica información considerada importante, pero no relacionada con peligros (por ej., mensajes relacionados con daño a la propiedad). El símbolo de alerta de seguridad no se debe usar con esta palabra de advertencia.

ADVERTENCIA:

Peligro de quemadura, incendio, choque eléctrico y energía de microondas

Este horno de microondas puede presentar riesgo de quemadura, incendio, choque eléctrico, exposición a energía de microondas y otros peligros. Para prevenir lesiones, lea y siga todas las instrucciones antes de usar el aparato. Ubique, instale y opere este aparato únicamente de acuerdo con estas instrucciones.

No prestar atención a todas las instrucciones puede ocasionar lesión personal o la muerte.

Precauciones eléctricas

CONEXIÓN A TIERRA. Este aparato debe estar conectado a tierra. Conéctelo únicamente a un tomacorriente debidamente puesto a tierra. Consulte las "*INSTRUCCIONES DE CONEXIÓN A TIERRA*" que se encuentran en la página 7

Seguridad del cable/enchufe

ADVERTENCIA:

Peligro de Choque Cable Eléctrico

El cable y el enchufe eléctricos pueden presentar peligro de choque eléctrico si no se siguen las siguientes precauciones:

No utilice este aparato si tiene un cable o enchufe dañado, si no está funcionando debidamente o si se ha caído o estuviese dañado.

No permita que el cable cuelgue del borde de la mesa o el mostrador.

Mantenga el cable alejado de las superficies calientes.

No sumerja el cable o enchufe en agua.

No prestar atención a estas precauciones puede ocasionar electrocución que provoque lesión grave o la muerte.

Almacenamiento. No guarde este aparato al aire libre. No use este producto cerca del agua - por ejemplo, cerca de un fregadero de cocina, en un sótano húmedo, cerca de una alberca o lugar similar.

Precauciones especiales para cocción de alimentos

Algunos productos tales como huevos enteros y recipientes sellados - por ejemplo, frascos de vidrio cerrados –pueden explotar y no se deben calentar en este horno. No cubra ni bloquee ninguna abertura en el aparato.

No cocine tocino directamente en el plato giratorio. El calentamiento local excesivo del plato giratorio puede hacer que se rompa el plato giratorio.

No caliente biberones ni alimentos para bebés en el horno de microondas. Podría ocurrir calentamiento desigual lo que puede ocasionar lesión física.

No caliente recipientes de cuello estrecho, como botellas de sirope.

No intente freír alimentos en aceite abundante en su horno de microondas.

No intente calentar conservas caseras en este horno de microondas, debido a que es imposible asegurarse de que todo el contenido de los frascos ha alcanzado la temperatura de ebullición.

Peligro de quemadura con líquido sobrecalentado

Un líquido “sobrecalentado” es cualquier agua, café o té que se puede recalentar más allá del punto de ebullición sin que parezca que esté hirviendo. Si usted usa un horno de microondas para calentar líquidos en una taza o recipiente limpio más allá de la temperatura de ebullición, cualquier ligera perturbación o movimiento puede hacer que el líquido “sobrecalentado” no en ebullición explote violentamente saliéndose del recipiente.



ADVERTENCIA:

Peligro de quemadura con líquido sobrecalentado

Los líquidos se pueden sobrecalentar en el horno y presentar peligro de quemadura si no se siguen las siguientes precauciones:

No use recipientes de lados rectos con cuello estrecho. (Que pueden expulsar súbitamente líquidos en ebullición).

No sobrecaliente el líquido.

Agite el líquido antes y a mitad del calentamiento.

Después de calentar, deje el recipiente en el horno por un tiempo corto antes de retirarlo.

Después de cocinar, tenga mucho cuidado al introducir una cuchara u otro utensilio en el recipiente.

No prestar atención a estas precauciones puede ocasionar quemaduras graves en la piel o lesiones por escaldadura en las manos, el rostro y el cuerpo.

Propósitos para los que está destinado. No opere el horno de microondas vacío. Operar el horno sin alimentos o con alimentos con un contenido de humedad extremadamente bajo puede ocasionar incendio, carbonización o chispas. No use este horno de microondas para fines comerciales. Este horno de microondas está diseñado para uso doméstico únicamente.

Advertencias de fuego en el microondas

ADVERTENCIA: **Peligro de fuego en el horno**

Pueden producirse peligros de fuego en el horno si no se siguen las siguientes precauciones:

No opere el horno de microondas vacío. Operar el horno sin alimentos o con alimentos con un contenido de humedad extremadamente bajo puede ocasionar incendio, carbonización o chispas.

No cocine en exceso los alimentos. Vigile cuidadosamente el aparato cuando se coloquen dentro del horno, objetos de papel, plástico u otros materiales combustibles para facilitar la cocción.

Quite los plastinudos (alambres para atar) de las bolsas de papel o plástico antes de colocarlas en el horno.

No guarde objetos en la cavidad del horno. No deje productos de papel, utensilios de cocina ni alimentos en la cavidad cuando no esté usando el horno.

No prestar atención a estas precauciones puede ocasionar lesión personal o daño a la propiedad.

ADVERTENCIA: **Fuego o humo en el horno de microondas**

Si algún material dentro del horno prendiera fuego, mantenga cerrada la puerta del horno, apague el horno y desconecte el cable de alimentación o corte el suministro eléctrico en la caja de fusibles o en el interruptor automático de circuito. No prestar atención a esta advertencia puede ocasionar quemaduras, inhalación de humo o daño a la propiedad.

Supervisión de niños. Como con cualquier aparato, se necesita supervisión estrecha cuando lo usan niños.

Necesidades de servicio. Este aparato debe recibir servicios de mantenimiento o reparación únicamente por personal de servicio calificado. Para servicios de inspección, reparación o ajuste, póngase en contacto con la instalación de servicio autorizada más cercana.

Limpieza. Siempre que limpie superficies de puertas y hornos que se juntan al cerrar la puerta, use únicamente jabones o detergentes suaves no abrasivos aplicados con esponja o paño suave. No mantener el horno limpio puede hacer que el horno se deteriore, lo que puede afectar negativamente la vida útil del aparato y posiblemente crear situaciones de peligro.

REQUISITOS ELÉCTRICOS

PELIGRO: **Peligro de Choque Eléctrico Interno**

No desarme este aparato ni toque los componentes internos debido a que pudieran estar electrificados. Consulte con un electricista calificado cuando se necesite cualquier servicio o reparación. No prestar atención a esta advertencia ocasionará electrocución que puede provocar lesión grave o la muerte.

Instrucciones de Conexión a Tierra



ADVERTENCIA:

Peligro de conexión a tierra indebida

El uso indebido de la conexión a tierra puede producir un choque eléctrico. Consulte con un electricista o miembro del personal de servicio calificado si no comprende completamente las instrucciones de conexión a tierra o si tiene dudas sobre si el aparato está debidamente puesto a tierra.

Este aparato debe estar conectado a tierra. En caso de un cortocircuito eléctrico, la conexión a tierra reduce el riesgo de un choque eléctrico proporcionando un alambre de escape para la corriente eléctrica. Este aparato está equipado con un cable que tiene un alambre de tierra con un enchufe a tierra. La clavija se debe enchufar en un tomacorriente debidamente instalado y puesto a tierra.

Cable de Alimentación Eléctrica

No se recomienda usar cables de extensión. No obstante, si fuese inevitable usar un cable de extensión:

La clasificación eléctrica marcada del juego de cables o cable de extensión debe ser al menos tan alta como la clasificación eléctrica del aparato.

El cable de extensión debe ser un cable del tipo de 3 alambres con conexión a tierra.

El cable más largo se debe arreglar de manera que no cuelgue del mostrador o tablero de mesa para evitar que los niños lo jalen o se tropiecen.

INTERFERENCIA DE SEÑALES DE RADIO



PRECAUCIÓN:

Interferencia potencial de señales de radio

La operación del horno de microondas puede causar interferencia con su radio, televisor o equipo similar. Siga las siguientes instrucciones para evitar o reducir las interferencias.

Cuando hay interferencia, se puede reducir o eliminar tomando las siguientes medidas:

Limpie la puerta y la superficie de sellado del horno;

Reoriente la antena receptora de radio o televisión;

Cambie de lugar el horno de microondas con respecto al receptor;

Aleje el horno de microondas del receptor; y

Enchufe el horno de microondas en un tomacorriente diferente para que el horno de microondas y el receptor estén en circuitos derivados diferentes

USO DE RECIPIENTES



ADVERTENCIA:

Peligro de explosión de recipientes

Los recipientes bien cerrados pueden explotar. Los recipientes cerrados se deben abrir y las bolsas plásticas se deben perforar antes de cocinar. No prestar atención a esta advertencia puede ocasionar lesión personal o daño a la propiedad.

Consulte las instrucciones sobre "Materiales que puede usar en un horno de microondas o que debe evitar en un horno de microondas." Puede haber ciertos utensilios no metálicos no aptos para microondas. Si tiene duda, puede probar el utensilio usando el siguiente procedimiento.

¿Es Apto para Microondas?

Prueba de recipiente:

- (1) Llene un recipiente apto para microondas con una taza de agua fría (250 ml).
- (2) Caliente durante 1 minuto a máxima potencia.
- (3) Toque con cuidado el recipiente. Si el recipiente está caliente, no lo use para cocinar en el microondas.
- (4) No sobrepase 1 minuto de tiempo de cocción.

Prueba de utensilio:

- (1) Llene un recipiente apto para microondas con una taza de agua fría (250 ml).
- (2) Extienda el utensilio junto al recipiente pero sin tocarlo.
- (3) Caliente durante 1 minuto a máxima potencia.
- (4) Toque con cuidado el utensilio. Si el utensilio está caliente, no lo use para cocinar en el microondas.
- (5) No sobrepase 1 minuto de tiempo de cocción.

Materiales que Puede Usar en el Horno de Microondas

Artículo	Observaciones
Plato para dorar	Siga las instrucciones del fabricante*. La parte inferior del plato para dorar debe estar al menos a 3/16 de pulgada (5 mm) sobre el plato giratorio. El uso incorrecto puede hacer que se rompa el plato giratorio.
Vajilla	Apta para microondas únicamente. Siga las instrucciones del fabricante. No use platos agrietados o astillados.
Frascos de vidrio	Quite siempre la tapa. Úselos únicamente para calentar alimentos hasta que estén moderadamente calientes. La mayor parte de los frascos de vidrio no son resistentes al calor y se pueden romper. Siga las instrucciones del fabricante*.
Bolsas para hornos	No las cierres con ataduras metálicas. Haga pequeños cortes para que escape el vapor.
Platos y tazas	Úselos únicamente para cocción/calentamiento rápido. No deje el horno desatendido mientras cocine.
Toallas de papel	Úselas para cubrir los alimentos para recalentar y absorber la grasa. Úselas con supervisión para cocción rápida únicamente.
Parchment (papel de pergamino)	Úselo como cobertura para evitar salpicaduras o como envoltura para cocer al vapor.
Plástico	Apto para microondas únicamente. Siga las instrucciones del fabricante*. Debe tener etiqueta de "Apto para microondas". Algunos recipientes de plástico se suavizan a medida que se calientan los alimentos que contienen. Las "bolsas para hervir" y las bolsas plásticas con cierre hermético se deben cortar, perforar o ventilar siguiendo las instrucciones del envase.
Envoltura de plástico	Apta para microondas únicamente. Úsela para cubrir alimentos durante la cocción para retener la humedad. No permita que la envoltura de plástico tenga contacto con los alimentos.
Termómetros	Aptos para microondas únicamente (termómetros para carne y caramelos).
Papel encerado	Úselo como cobertura para evitar salpicaduras y retener la humedad.

Materiales que se Deben Evitar en un Horno de Microondas

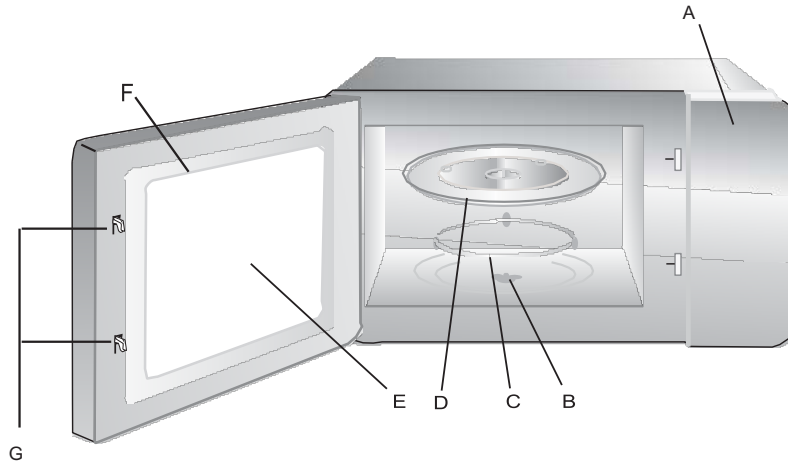
Artículo	Observaciones
Bandeja de aluminio	Puede producir arcos eléctricos. Pase los alimentos a un plato apto para microondas.
Cajas de cartón para alimentos con agarradero metálico	Puede producir arcos eléctricos. Pase los alimentos a un plato apto para microondas.
Utensilios metálicos o con rebordes metálicos	El metal protege los alimentos contra la energía de microondas. Los rebordes metálicos pueden producir arcos eléctricos.
Plastinudos metálicos	Pueden producir arcos eléctricos o fuego dentro del horno.
Bolsas de papel	Pueden producir fuego dentro del horno.
Espuma plástica	La espuma plástica puede derretirse o contaminar el líquido que esté dentro del horno cuando es expuesta a temperaturas altas.
Madera	La madera se seca cuando se usa en el horno de microondas y puede partirse o agrietarse.

CONFIGURACIÓN DEL HORNO

Nombres de las Partes y Accesorios del Horno

Saque el horno y todos los materiales de la caja de cartón y la cavidad del horno. Su horno viene con los siguientes accesorios:

- Bandeja de vidrio1
- Unidad del anillo del plato giratorio ...1
- Manual de instrucciones.....1



- A) Panel de control
- B) Eje del plato giratorio
- C) Unidad del anillo del plato giratorio
- D) Bandeja de vidrio
- E) Ventana de visualización
- F) Unidad de la puerta
- G) Sistema de enclavamiento de seguridad

Desempaque y verifique que no haya daños

⚠ ADVERTENCIA:
Peligro de horno dañado

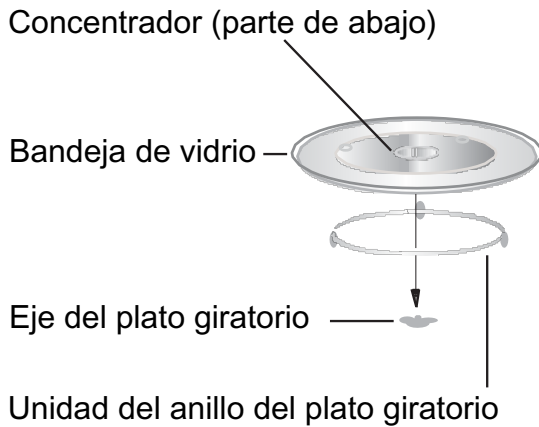
No use el horno si está dañado. No seguir esta instrucción, puede ocasionar lesiones graves.

Quite todo el material de empaque y los accesorios. Examine el horno para verificar que no haya daños como abolladuras o la puerta rota.

Gabinete: Quite cualquier película protectora de la superficie del gabinete del horno de microondas.

No quite la cubierta de Mica fijada a la cavidad del horno para proteger el magnetrón. Si el horno de microondas está dañado, consulte la sección de "Servicio al cliente" en la página 21 de este manual.

Instalación del Plato Giratorio



Nunca coloque la bandeja de vidrio boca abajo. La bandeja de vidrio nunca debe ser restringida.

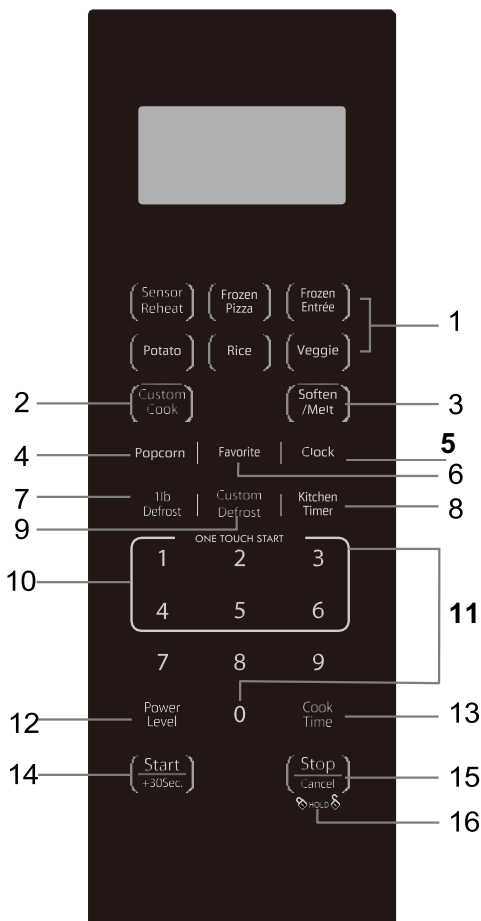
Tanto la bandeja de vidrio como la unidad del anillo del plato giratorio se deben usar siempre que se cocine.

Todos los alimentos y recipientes con alimentos se deben colocar siempre sobre la bandeja de vidrio para cocinar.

Coloque los utensilios de cocina con cuidado en el plato giratorio y manipúlelos con cuidado para evitar que se rompan. El uso incorrecto puede hacer que se rompa el plato giratorio.

Si la bandeja de vidrio o la unidad del anillo del plato giratorio se agrieta o rompe, póngase en contacto con el centro de servicio más cercano.

Panel de Control y Características



- (1) Cocción por sensor: Recalentamiento por sensor "SENSOR REHEAT", Pizza congelada "FROZEN PIZZA", Plato principal congelado "FROZEN ENTREE", Papa "POTATO", Arroz "RICE", Verduras "VEGGIE"
- (2) Cocción personalizada "CUSTOM COOK"
- (3) Suavizar/derretir "SOFTEN/MELT"
- (4) Palomitas de Maíz "POPCORN"
- (5) Ajuste del Reloj "CLOCK"
- (6) Función De Memoria "FAVORITE"
- (7) Función de Descongelación, 1 lb "1lb DEFROST"
- (8) Temporizador de Cocina "KITCHEN TIMER"
- (9) Función de Descongelación Personalizada "CUSTOM DEFROST"(Carne, aves, pescado)
- (10) One Touch START (Inicio con una sola pulsación)/ Express Cooking (Cocción Expresa) (Números en el panel 1-6)
- (11) Botones números: 0-9
- (12) Nivel de potencia "POWER LEVEL" (Diez Niveles de potencia)
- (13) Tiempo de Cocción "COOK TIME"
- (14) Cocción veloz "START/+30SEC." (Inicie el tiempo de cocción o añada tiempo a la cocción)
- (15) Detener/Cancelar "STOP/CANCEL"
- (16) Función De Bloqueo Para Niños(En el estado de espera)

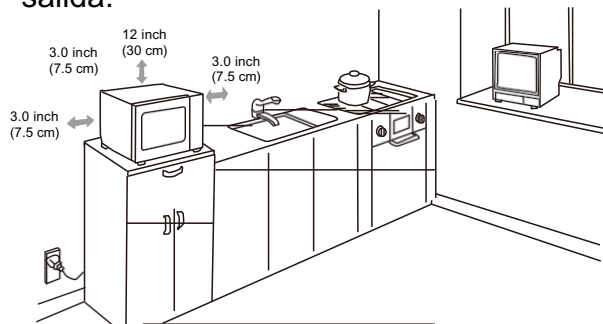
Instalación en el Mostrador



PRECAUCIÓN: Daño por calor de microondas

No instale el horno sobre la superficie de cocción de una estufa u otro aparato que genere calor. Si se instala cerca de o sobre una fuente de calor, se puede dañar el horno y la garantía quedaría nula.

Seleccione un nivel de superficie con suficiente espacio abierto para los orificios de entrada y/o salida.



Se requiere de un espacio mínimo de 3.0 pulgadas (7.5 cm) entre el horno y cualquier pared adyacente. Un lado debe estar abierto.

Deje un espacio mínimo de 12 pulgadas (30 cm) sobre el horno.

No quite las patas de la parte inferior del horno.

No bloquee los orificios de entrada y/o salida. Esto dañaría el horno.

Coloque el horno lo más alejado posible de radios y televisores. La operación del horno de microondas puede causar interferencia con la recepción de su radio o televisor.

Enchufe su horno en un tomacorriente estándar. Asegúrese de que el voltaje y la frecuencia coincidan con el voltaje y la frecuencia indicados en la etiqueta de clasificación.

OPERACIÓN


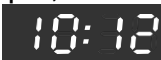
1. Nivel de Potencia

Están disponibles diez niveles de potencia.

Tecla número	0	9	8	7	6	5	4	3	2	1
Nivel	10	9	8	7	6	5	4	3	2	1
Potencia	100%	90%	80%	70%	60%	50%	40%	30%	20%	10%
Pantalla	PL10	PL9	PL8	PL7	PL6	PL5	PL4	PL3	PL2	PL1

2. Ajuste del Reloj


Cuando el horno de microondas está enchufado en un tomacorriente, el horno mostrará "0:00"

- 1) Oprima "**CLOCK**" (Reloj), la pantalla mostrará 00:00 
- 2) Oprima las teclas numéricas e ingrese la hora correcta. Por ejemplo, si la hora es 10:12 ahora, por favor oprima "1,0,1,2" sucesivamente. 
- 3) Oprima "**CLOCK**", para finalizar el ajuste del reloj. ":" se encenderá intermitentemente y el reloj se iluminará.
- 4) Si los números ingresados no están dentro del rango de 1:00--12:59, el ajuste será inválido hasta que se ingresen números válidos.

Nota: En el proceso de ajuste del reloj, si se oprime el botón de "**STOP/CANCEL**" (Detener/Cancelar) o si no se realiza ninguna operación en el término de 1 minuto, el horno regresará automáticamente a su estado anterior.


Si el reloj necesita reajustarse, repita los pasos 1- 3.

3. Temporizador de Cocina ("KITCHEN TIMER")

- 1) Oprima "**KITCHEN TIMER**" (Temporizador de cocina), la pantalla mostrará 00:00. 
- 2) Oprima las teclas numéricas e ingrese la hora correcta. (El tiempo máximo es 99 minutos y 99 segundos)
- 3) Oprima "**START/+30SEC.**" para confirmar el ajuste.
- 4) Cuando llega el tiempo de cocina, el zumbador sonará 5 veces.
- 5) Si se fija el reloj (sistema de 12 horas), la pantalla mostrará el tiempo actual contando regresivamente.

Nota: Una vez ajustado el temporizador, no se puede añadir más tiempo. Oprima el Botón de **STOP/CANCEL** para reiniciar e insertar una hora de recordatorio nueva.

4. Cocción en Microondas “**COOK TIME**”

- 1) Oprima una vez “**COOK TIME**” (Tiempo de cocción), la pantalla mostrará “00:00”. 
- 2) Oprima las teclas numéricas para ingresar el tiempo de cocción; el tiempo de cocción máximo es 99 minutos y 99 segundos.
- 3) Oprima una vez “**POWER LEVEL**” (Nivel de potencia), la pantalla mostrará “PL10”. La potencia implícita es potencia 100%. Ahora usted puede oprimir las teclas numéricas para ajustar el nivel de potencia.
- 4) Oprima “**START/+30SEC.**” para comenzar a cocinar.

Ejemplo: para cocinar los alimentos con una potencia de microondas del 50% durante 15 minutos.

- a. Oprima una vez “**COOK TIME**”. Mostrará "00:00".
- b. Oprima “1”, “5”, “0”, “0” en orden.
- c. Oprima una vez “**POWER LEVEL**”, luego oprima “5” para seleccionar potencia de microonda del 50%.
- d. Oprima “**START/+30SEC.**” para comenzar a cocinar.

Nota: En el proceso de cocción, si se oprime el botón de “**STOP/CANCEL**” o si no se realiza ninguna operación en el término de 1 minutos, el horno regresará automáticamente al ajuste anterior.

5. Cocción Veloz


- 1) En el estado de espera, se puede iniciar la cocción instantánea a un nivel de potencia del 100% seleccionando un tiempo de cocción de 1 a 6 minutos, oprimiendo en el panel los números del 1 al 6. Oprima “**START/+30SEC.**” para aumentar el tiempo de cocción; el tiempo de cocción máximo es de 99 minutos y 99 segundos.
- 2) En el estado de espera, se puede iniciar la cocción instantánea a un nivel de potencia del 100% con 30 segundos de tiempo de cocción, oprimiendo “**START/+30SEC.**” Cada pulsión en el mismo botón aumentará el tiempo de cocción en 30 segundos. El tiempo de cocción máximo es de 99 minutos y 99 segundos.

Nota: En los estados de cocción de microondas y menú automático, oprima el botón “**START/+30SEC**” para aumentar el tiempo de cocción en 30 segundos.

6. Función de Descongelación, 1 lb “**1 lb DEFROST**”

- 1) Oprima “**1 lb DEFROST**” (Descongelación 1 lb), la pantalla mostrará “1.0”.
- 2) Oprima “**START/+30SEC.**” para comenzar a descongelar y se mostrará el tiempo de cocción restante.

7. Función de Descongelación Personalizada (“def 1”, “def 2”, “def 3”)

- 1) Oprima una vez **“CUSTOM DEFROST”** (Descongelación personalizada), la pantalla mostrará “dEF1”. 
- 2) Oprima repetidamente **“CUSTOM DEFROST”** para seleccionar dEF1, dEF2 o dEF3.
- 3) Oprima las teclas numéricas para ingresar el peso de los alimentos. Ingrese el peso clasificado entre 0.3~6.3 lb.
- 4) Oprima **“START/+30SEC.”** para comenzar a descongelar y se mostrará el tiempo de cocción restante.

Alimento	Pantalla	Peso
Descongelación Personalizada-Carne	dEF1	0.3~6.3 lb
Descongelación Personalizada-Aves	dEF2	0.3~6.3 lb
Descongelación Personalizada- Pescado	dEF3	0.3~6.3 lb

8. Función de Memoria “FAVORITE”

- 1) En el estado de espera, oprima repetidamente **“FAVORITE”** (Favorito) para seleccionar el procedimiento de memoria 1-3. La pantalla mostrará “1”, “2”, “3”.
- 2) Si el procedimiento ha sido fijado, oprima **“START/ +30 SEC.”** para usarlo. De no ser así, continúe fijando el procedimiento. Únicamente se pueden fijar una o dos etapas.
- 3) Después de concluir la fijación, oprima una vez **“FAVORITE”** para guardar el procedimiento.

Si oprime **“START/ +30 SEC.”**, se guardará el procedimiento y comenzará la cocción.

Ejemplo:

1. Para fijar el siguiente procedimiento como la segunda memoria, que es la memoria
2. Para cocinar los alimentos con una potencia de microondas del 80% durante 3 minutos and 20 segundos. Los pasos son los siguientes:
 - a. Oprima dos veces **“FAVORITE”**, deje de oprimir hasta que la pantalla muestre “2”.
 - b. Oprima una vez **“COOK TIME”**, luego oprima **“3”, “2”, “0”** en orden.
 - c. Oprima una vez **“POWER LEVEL”**, se muestra **“PL10”**, luego oprima **“8”** y se muestra **“PL8”**.
 - d. Oprima **“FAVORITE”** para guardar el ajuste. El zumbador sonará una vez.
 - e. Si oprime **“START/+30SEC.”**, se guardará el procedimiento como memoria 2 y operará.
 - f. Si desea ejecutar el procedimiento guardado, oprima dos veces **“FAVORITE”**, la pantalla mostrará “2”, luego oprima **“START/+30SEC.”** para ejecutar.

9. Recalentamiento por sensor “SENSOR REHEAT”

- 1) Oprima **“SENSOR REHEAT”** (Recalentamiento por sensor). Se mostrará en pantalla **“SC-1”**.
- 2) Oprima **“START/+30SEC.”** para comenzar la función de recalentamiento por sensor y no hay necesidad de fijar el tiempo. No es necesario fijar el tiempo de cocción siempre que los alimentos se encuentren en porciones de 8 a 32 onzas.
- 3) Cuando emana el vapor, la pantalla mostrará el tiempo excedente. Al finalizar, el zumbador sonará 5 veces. Por último, el horno regresará al estado de espera.

Limitaciones de la cocción por sensor:

La temperatura ambiente no puede sobrepasar los 35 grados. El horno no puede cocinar automáticamente cuando la temperatura de la cavidad del horno es alta.

Los alimentos deben pesar más de 110 g (4 oz).

La cavidad, la bandeja de vidrio y los recipientes deben estar secos antes de colocar los alimentos.

Los alimentos recalentados se pueden cubrir con la tapa. Pero la tapa debe tener orificio de ventilación para que salga el vapor. Se prohíben los recipientes sellados.


Durante el proceso de cocción:

- a. Mantenga la puerta cerrada mientras no se muestre el tiempo excedente
- b. Cuando el zumbador suene dos veces, se iniciará la cuenta regresiva y el tiempo excedente aparecerá en pantalla, usted puede abrir la puerta para mezclar los alimentos, darles vuelta o reemplazarlos. Y luego pasar a la siguiente operación.

Deje que los alimentos se enfríen ligeramente antes de sacarlos del horno de microondas.

Durante el proceso de cocción por sensor, si no hay cuenta regresiva, no se ha detectado vapor. Para abrir la puerta, oprima **STOP/CANCEL**. No obstante, abrir la puerta antes de que se muestre esta cuenta regresiva puede producir un error del sensor y usted deberá reprogramar su selección de **SENSOR REHEAT**.

Alimentos que se deben evitar o requieren de atención especial en el modo de SENSOR REHEAT:

 **PRECAUCIÓN:**
Alimentos que se deben evitar en el modo de SENSOR REHEAT:

Los siguientes alimentos se deben evitar cuando se use la función de cocción por sensor. No obstante, se podrán calendar bajo otras funciones en el microondas:

- Panes y otros alimentos secos
- Alimentos crudos o no cocinados
- Bebidas
- Alimentos congelados

Los siguientes alimentos también requieren de atención especial al usar la función de **SENSOR REHEAT**:

Para Cazuelas: Añada 3 o 4 cucharadas de agua, cubra con tapa o envoltura de plástico ventilada. Después de recalentar, déjelo reposar por unos minutos o se puede mezclar y recalentar de nuevo.

Para Alimentos enlatados: Vierta el contenido en la cazuela o en un bol de mesa, cubra el plato con la tapa o envoltura de plástico ventilada. Después de recalentar, deje reposar el plato por unos minutos.

Para Plato de comida: Arregle los alimentos en el plato; recubra con mantequilla, salsa, etc. Cubra con la tapa o envoltura de plástico ventilada. Después de recalentar, deje reposar el plato por unos minutos.

Tabla de cocción por sensor

Botón del menú	Alimento	Código de alimento	Peso/Porción
Recalentamiento Por Sensor	Recalentamiento Por Sensor	SC-1	8.0 - 32.0 oz
Pizza Congelada	Pizza Congelada	SC-2	6.0 - 12.0 oz
Frozen Entrée	Plato Principal Congelado	SC-3	8.0 - 32.0 oz
Papa	Papa	SC-4	1~4 papas 10.0 oz cada una
Arroz	Arroz	SC-5	8.0 Oz - 16.0 Oz
Verduras	Verdura fresca/congelada	SC-6/SC-7	4.0 - 16.0 oz

10. Palomitas de Maíz “POPCORN”

Oprima repetidamente “POPCORN” hasta que aparezca en pantalla el peso que necesita, se ilumina “Oz”.

Ejemplo: Oprima una vez “POPCORN”, muestra “1.75”.

Oprima “START/+30SEC.” para cocinar, desaparece "Oz"

Tabla de Tiempo de Cocción de Palomitas de Maíz

Veces (Oprimir “POPCORN”)	Peso Neto de la Bolsa	Pantalla
Una vez	1.75 Oz	1.75
Dos veces	3.0 Oz	3.0
Tres veces	3.5 Oz	3.5

11. Suavizar/Derretir “SOFTEN/MELT”

- Oprima repetidamente “SOFTEN/MELT” hasta que aparezca en la pantalla el menú que necesita
- Después de elegir el menú, oprima un número en el panel para seleccionar el peso o la porción de alimento.
- Oprima “START/+30SEC.” para cocinar.

Tabla del Menú Automático

Alimento	Pantalla	Peso/Porción
Mantequilla/Margarina Derretida	S-1	1-3 BARRAS
Chocolate Derretido	S-2	4 Oz 8 Oz
Queso Derretido	S-3	8 Oz 16 Oz
Malvaviscos Derretidos	S-4	5 Oz 10 Oz
Mantequilla Suavizada	S-5	1-3 BARRAS
Helado Suavizado/Jugo Congelado	S-6	6 Oz 12 Oz 16 Oz
Queso Crema Suavizado	S-7	3 Oz 8 Oz

ÈÐÉp O|äâ-û\pTà[]|\ââ-,âæâp·OÜÚÛŠRpOŠŠPp;

MÍ Ž©dˆ {Adˆ~{f}}{ˆ~:~A4OÜÚÛŠRpOŠŠP/Ac{††{Aˆ~A{©{d~i}[{Aˆ~:Ac{A©{††{œœ{Aˆ~A
 ˆ~:ÿAˆ~A:~[††{KA4UUJM/A4UUJN/KKK4UUJCE/A{©{d~[ˆ~d7:Aˆ~:~A,d]~:K

NÍ Ú†©°¼†A]ˆAˆ~•dAˆ~Aˆ~:ÿÌA,©dˆ {Aˆ~:~A:ÿˆ~d,Aˆ~:~Aˆ~A©{ˆ~:~A©{d{A†ˆ~}[ˆ~:,~:~{dAˆ~A©†,
 o la porción de alimento.

ÑÍ Ž©dˆ {A4ÚÛNUÛÊÇ€ËÚÓOÉ/A©{d{A[, [ˆ~:~{dA

Ûâ´ãâpæàâpRà\xpæàpO|äâ-û\pTà[]|\ââ-,âæâlp

Nâ-bà\~ p	Tâ\ââââp	Tà] ÉT [ä-û\p
U, [[ˆ~ù:A©ˆ~d†, : {œi}]{Jä, [ˆ~:, A	UUJM	NAâ~}{:}{†A ÑAâ~}{:}{†A OAâ~}{:}{†A ŒEAâ~}{:}{†A ÓAâ~}{:}{†A
U, [[ˆ~ù:A©ˆ~d†, : {œi}]{JAa{ˆ~:~[œœ, U, :•œ{Lÿ, œ†JAd~[œ~:†}, A	UUJN	MAa~i{A NAa~i{†A ÑAa~i{†A OAa~i{†A ŒEAa~i{†A ÓAa~i{†A
U, [[ˆ~ù:A©ˆ~d†, : {œi}]{Jp~}]{A	UUJÑ	MAä{i{A NAä{i{†A
U, [[ˆ~ù:A©ˆ~d†, : {œi}]{JA a~i{† de polloA	UUJO	ŁKCEÝPAJANKŁÝPA
U, [[ˆ~ù:A©ˆ~d†, : {œi}]{J V{dˆ:~{A}ˆ~A{ˆ~:~{AI[, :Ac~[c~ÍA	UUJCE	NŁAŽ IA OŁAŽ IA

È€Ép O|äâ-û\pR|ã~EÚàää~|\ââ

TAc, A†ˆ~, ÌA†A©ˆ~]ˆ:Aˆ~††{œ}ˆ~[ˆ~dANAT~[[ˆ~:, ~†A©{d{A[, [ˆ~:~{dKAÛ:A©{A[, [[ˆ~ù:Aˆ~°œ†J†[[ˆ~:, {œÌA†A
 °:~{A†[[ˆ~ù:Aˆ~††7Aˆ~:~A]ˆ~††, :•œ{[ˆ~ù:ÌAc{A}ˆ~††, :•œ{[ˆ~ù:A†A}ˆ~}A[, œ, [[dAˆ~:~Ac{A©dˆ~ˆ~d{A†[[ˆ~ù:KA
 U°{:~}, A†ˆ~:~{œi}{Ac{A©dˆ~ˆ~d{Aˆ~††{©{ÌAˆ~Aˆ~iˆ~°ˆ~}}], dA†, :~{d7A°:~{Aˆ~iAˆ~Ac{A†ˆ~•ˆ~ˆ~:~†Aˆ~††{©{A[, ˆ~:~i{d7A
 {A[, [ˆ~:~{dKA

Ûçˆ~©œ, ØA†A]ˆ†{A[, [ˆ~:~{dA[, :~A°:~{A©,†ˆ~:~[ˆ~{A}ˆ~Aˆ~[d, , :~]{A}ˆ~AÖŁFA]°d{ˆ~:~†ACEAˆ~:~°†, †AÏA°:~{A
 ©,†ˆ~:~[ˆ~{A}ˆ~Aˆ~[d, , :~]{†A}ˆ~AÓŁFA]°d{ˆ~:~†AMŁAˆ~:~°†, †KAY, †A©{†, †A]ˆ~A[, [[ˆ~ù:A†, :~Ac, †A†ˆ~•ˆ~ˆ~:~††KA

MÍ Ž©dˆ {Aˆ~:~{Aˆ~iA4OŠŠPpÛØRÓ/ÌAcˆ~•, A, ©dˆ {A4Œ/Ì4L/Ì4L/A©{d{A†ç{dACEAˆ~:~°†, †K

NÍ Ž©dˆ {Aˆ~:~{Aˆ~iA4TŠVÓUpQÓÚÓQK

ÑÍ Ž©dˆ {Aˆ~œA}, †ù:A:ÿˆ~d, AÉÍ/A©{d{A†ç{dA°:~{A©,†ˆ~:~[ˆ~{A}ˆ~Aˆ~[d, , :~]{†A}ˆ~AÖŁFK

OÍ Ž©dˆ {Aˆ~:~{Aˆ~iA4OŠŠPpÛØRÓ/ÌAcˆ~•, A, ©dˆ {A4M/Ì4L/Ì4L/Ì4L/A©{d{A†ç{dAMŁAˆ~:~°†, †K

ŒÍ Ž©dˆ {Aˆ~:~{Aˆ~iA4TŠVÓUpQÓÚÓQK

ÓÍ Ýˆ~•, A, ©dˆ {Aˆ~œA}, †ù:A:ÿˆ~d, A4H/A†, A†ç{dA°:~{A©,†ˆ~:~[ˆ~{A}ˆ~Aˆ~[d, , :~]{†A}ˆ~AÓŁFK

ÔÍ Ž©dˆ {A4´äTaaIÑL´ÛUK/A©{d{A[, ˆ~:~i{dA{A[, [ˆ~:~{dKA

Z, †{ØAˆ~œAˆ~:~ÿA{°†, ˆ~7†[ˆ~:, A:, A†A©ˆ~]ˆ~A†ç{dA[, ˆ~:, A°:~{A}ˆ~Ac{†Aˆ~ÿœ†œ†A†[[ˆ~:, ~††KA

14. Reloj/Potencia Función de Indagación

Si se ha fijado el reloj, en el estado de cocción con RELOJ, oprima "**CLOCK**", el reloj aparecerá durante tres segundos. Después de eso, el horno regresará al estado de reloj.

En el estado de cocción con microondas, oprima "**POWER LEVEL**" para indagar el nivel de potencia de microondas, se mostrará la potencia de microondas actual. Después de tres segundos, el horno regresará al estado anterior.

15. Función de Bloqueo para Niños

Bloqueo: En el estado de espera, oprima durante 3 segundos "**STOP/CANCEL**", habrá un "pitido" largo que indica el ingreso al estado de bloqueo para niños; si se ha fijado el reloj, se mostrará la hora actual, sin ningún aviso de BLOQUEO especial.

Desactivación del bloqueo: En el estado de bloqueo, oprima durante 3 segundos "**STOP/CANCEL**", habrá un "pitido" largo que indica la desactivación del bloqueo.

16. Función de Recordatorio de Finalización de la Cocción

Cuando finaliza la cocción, la pantalla mostrará "End" (Fin) para recordar al usuario que la cocción ha finalizado. Para que el aparato pase al estado de operación normal, por favor oprima "**STOP/CANCEL**" o abra la puerta.

17. Interrupción de la Puerta al Cocinar

Oprimir "START/ 30SEC." Continuar cocinando si se abre la puerta durante la cocción. El zumbador sonará una vez si se oprime el botón.

MANTENIMIENTO

Localización y reparación de averías

Revise su problema utilizando la siguiente tabla y pruebe las soluciones para cada problema. Si el horno de microondas sigue funcionando indebidamente, póngase en contacto con el centro de servicio autorizado más cercano.

PROBLEMA	CAUSA POSIBLE	REMEDIO POSIBLE
El horno no funciona	<ul style="list-style-type: none"> a. El cable de alimentación del horno no está enchufado. b. La puerta está abierta. c. Se ha fijado la operación incorrecta. 	<ul style="list-style-type: none"> a. Enchufar el cable en el tomacorriente. b. Cierre la puerta y pruebe de nuevo. c. Verifique las instrucciones.
Arcos eléctricos o chispas	<ul style="list-style-type: none"> a. Se usaron materiales que se deben evitar en un horno de microondas. b. El horno se opera vacío. c. Hay comida esparcida en la cavidad. 	<ul style="list-style-type: none"> a. Use únicamente utensilios de cocina aptos para microondas. b. No opere el horno cuando esté vacío. c. Limpie la cavidad con una toalla húmeda.
Alimentos cocinados de forma desigual	<ul style="list-style-type: none"> a. Se usaron materiales que se deben evitar en un horno de microondas. b. Los alimentos no se han descongelado completamente. c. Tiempo de cocción, nivel de potencia inadecuados. d. No se ha removido ni se le ha dado vuelta a los alimentos. 	<ul style="list-style-type: none"> a. Use únicamente utensilios de cocina aptos para microondas. b. Descongele completamente los alimentos. c. Use el tiempo de cocción, nivel de potencia correctos d. Dé vuelta o remueva los alimentos.
Alimentos sobrecocidos	Tiempo de cocción, nivel de potencia inadecuados.	Use el tiempo de cocción, nivel de potencia correctos.
Alimentos medio crudos	<ul style="list-style-type: none"> a. Se usaron materiales que se deben evitar en un horno de microondas. b. Los alimentos no se han descongelado completamente. c. Los orificios de ventilación del horno están restringidos. d. Tiempo de cocción, nivel de potencia inadecuados. 	<ul style="list-style-type: none"> a. Use únicamente utensilios de cocina aptos para microondas. b. Descongele completamente los alimentos. c. Revise para determinar si los orificios de ventilación del horno están restringidos. d. Use el tiempo de cocción, nivel de potencia correctos.
Descongelación indebida	<ul style="list-style-type: none"> a. Se usaron materiales que se deben evitar en un horno de microondas. b. Tiempo de cocción, nivel de potencia inadecuados. c. No se han removido ni se le ha dado vuelta a los alimentos. 	<ul style="list-style-type: none"> a. Use únicamente utensilios de cocina aptos para microondas. b. Use el tiempo de cocción, nivel de potencia correctos. c. Dé vuelta a o remueva los alimentos.

Instrucciones

¡LLÁMENOS PRIMERO! NO DEVUELVA EL PRODUCTO A LA TIENDA.

Para recibir ayuda inmediata con el ensamble o información del producto, llame a nuestro número gratuito: **1-888-598-7316**

De lunes a viernes de 7 a.m. a 7 p.m., hora del Centro. Nuestro personal está preparado para brindarle asistencia.

Las partes dañadas o faltantes saldrán de nuestras instalaciones en el transcurso de 1 a 2 días hábiles.

Recuerde proporcionar la siguiente información:

1. Nombre completo
2. Domicilio físico – No incluya apartados postales debido a que no podemos realizar entregas en un apartado postal.
3. Número telefónico
4. Número de modelo
5. Número de parte
6. Número de factura
7. Fecha de compra

Nota: Nuestra política es enviar todas las solicitudes de partes por transporte terrestre regular. Si usted solicitó el envío de estas partes durante la noche o con entrega al día siguiente, proporcione el nombre de su compañía de mensajería y su número de cuenta. Los paneles de repuesto no están disponibles. Si ocurrió algún daño durante el envío, devuelva la unidad completa al lugar de compra para su devolución o reposición.

Es posible que le pidan la factura original.

Antes de iniciar:

Abra, identifique y cuente todas las partes antes del ensamble. Coloque todas las partes en una superficie no abrasiva, como una alfombra o sábana.